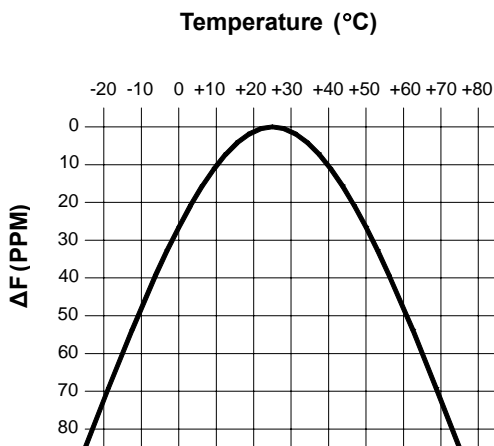


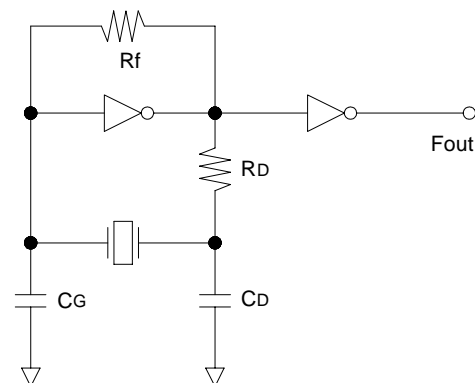
OUTLINE DIMENSIONS		ELECTRICAL SPECIFICATIONS	
		Frequency range	32.768KHz ~ 165.000KHz
		Frequency tolerance	±20ppm
		Frequency stability	±30ppm
		Operating temperature range	-10 °C ~ 60 °C
		Operable temperature range	-40 °C ~ 85 °C
		Storage temperature range	-55 °C ~ 125 °C
		Temperature coefficient	-0.04ppm / °C ² max.
		Shunt capacitance (C ₀)	0.9pF max.
		Motional capacitance (C ₁)	1.8fF (Typical)
		Load capacitance (C _L)	6pF to ∞, 12.5pF (Typical)
		Series resistance (ESR)	50KΩ max. (Typical)
		Drive level	1.0μW max. (Typical)
		Aging (at 25 °C)	±5ppm / year max.
Insulation resistance	500MΩ min.		
Shock resistance	±5ppm max.		
ORDERING GUIDE			
SMD-T Frequency	:		
Load capacitance	:	pF	
Crystal impedance	:	Ω	
Stability	:	± ppm (at 25 °C)	
Tolerance	:	± ppm (°C ~ °C)	
Drive level	:	μW	
Shunt capacitance	:	pF	
Packing type	:	Bulk / Taping	

Specifications subjects to change without notice & If you need other specifications, Contact our factory.

TEMPERATURE CHARACTERISTICS



APPLICATIONS CIRCUIT



The majority of applications use a KHz crystal in an oscillator circuit Incorporating binary division to produce a 1.0Hz output.